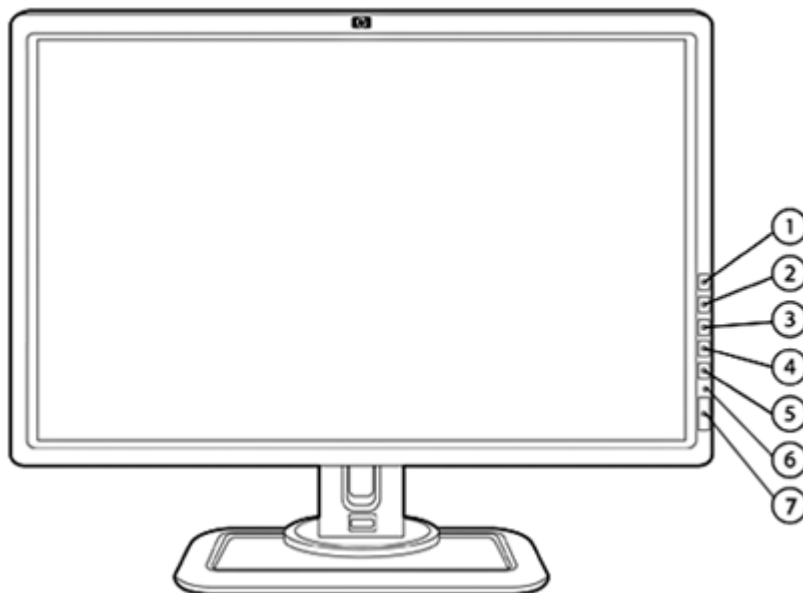


Overview



1. Function: Performs the function set in the OSD menu (OSD Control > Function Control).
2. Input: Selects the video input (DVI-1, DVI-2, HDMI, DisplayPort, Component, S-Video, or Composite).
3. Plus: Navigates forward through the OSD menu and increases adjustment levels.
4. Minus: Navigates backward through the OSD menu and decreases adjustment levels; when the OSD menu is inactive, activates the auto-adjustment feature to optimize the screen image.
5. Menu/Select: Opens, selects or exits the OSD menu.
6. Power LED: Green = Fully powered.
Amber = Sleep mode.
Flashing Amber = Sleep Timer mode.

Model

GV546A4

Technical Specifications

| | | |
|---|--|--|
| Panel | Type | IPS 24-in (60.96-cm) wide-aspect screen |
| | Viewable Image Area (diagonal) | 24 in (60.96 cm) wide-aspect screen |
| | Screen Opening (W x H) | 20.54 x 12.80 in (52.16 x 32.52 cm) |
| | Viewing Angle (typical)¹ | 178 degrees (to CR of 10:1 min.) |
| | Maximum White Luminance¹ | 250 cd/m ² (typ.) |
| | Minimum White Luminance | 40 cd/m ² (typ.) |
| | Black Luminance | 0.05 cd/m ² (typ. black level at minimum white level) |
| | Contrast Ratio (typical)¹ | 1000:1 |
| | Response Rate (typical)^{1,2} | 12 ms (rise+fall, full black-to-white-to-black); 6 ms (gray to gray) |
| | Pixel Pitch | 0.270 mm |
| | Backlight Life (to half brightness) | 50K hours |
| | Backlight Type | RGB LEDs |
| | Gamma/Tone Response | Programmable from "gamma" value of 1.0 to 3.0. |
| | Color Gamut | Native gamut approx. 133% NTSC (in CIE 1976 u'v' space) |
| | Adobe RGB Coverage | 100% |
| | sRGB Coverage | 100% |
| | Display Colors | Over 1 billion colors in native mode |
| | Lookup Table | 12 bits per entry, 1024 entries per table. |
| | Internal Processing | Min. 10 bits/color throughout video processing pipeline. |
| | Bezel Width | 0.71 in (1.8 cm) |
| On Screen Display (OSD) & Controls | Buttons or Switches | Function Select, Input Select/Exit OSD, Plus (+), Minus (-), Menu/Select, Power |
| | OSD Languages | Chinese (simplified), Dutch, English, Spanish, French, Italian, Japanese |
| | OSD Functions (partial list) | Color Space, Brightness, Color Temp, Reset to Factory Cal., Reset to Last, Black Level, Overdrive, Custom Scaling, Crop (L-C-R), PIP Control, Auto Adjust, H Position, V Position, Clock, Clock Phase, Hue, Saturation, Language, Intuitive OSD supporting key features of monitor |
| Signal Interface/ Performance | Horizontal Frequency | 24 - 80 kHz |
| | Vertical Frequency | 47 - 61 Hz. No internal frame rate conversion at 48, 50, and 59.94/60 Hz |
| | Native Resolution | 1920 x 1200 pixels |
| | Preset Graphic Timing Modes (non-interlaced) (Per VESA DMT or CVT standards unless otherwise noted) | 640 x 480 @ 60 Hz and 75 Hz |
| | | 720 x 400 @ 70 Hz |
| | | 800 x 600 @ 60 Hz |
| | | 1024 x 768 @ 60 Hz |
| | | 1152 x 720 @ 60 Hz |
| | 1280 x 768 @ 60 Hz | |
| | 1280 x 900 @ 60 Hz | |
| | 1280 x 1024 @ 60 Hz | |

Technical Specifications

| | |
|--|---|
| | 1600 x 1000 @ 60 Hz |
| | 1600 x 1200 @ 60 Hz |
| | 1680 x 1050 @ 60 Hz |
| | 1920 x 1080 @ 60 Hz |
| | 1920 x 1200 @ 24 Hz; 48 Hz, and @ 60 Hz (CVT and CVT-R timings) |
| | 2048 x 1080 @ 48 Hz and 60 Hz |
| | 2048 x 1200 @ 48 Hz and 60 Hz |
| SDTV/HDTV Timing Modes (per CEA standards unless otherwise noted) | 720 x 480 @ 60 Hz (interlaced) |
| | 720 x 480 @ 60 Hz (progressive) |
| | 720 x 576 @ 50 Hz (interlaced) |
| | 720 x 576 @ 50 Hz (progressive) |
| | 1280 x 720 @ 50 Hz (progressive) |
| | 1280 x 720 @ 60 Hz (progressive) |
| | 1920 x 1080 @ 50 Hz (interlaced) |
| | 1920 x 1080 @ 60 Hz (interlaced) |
| | 1920 x 1080 @ 50 Hz (progressive) |
| | 1920 x 1080 @ 60 Hz (progressive) |
| Maximum Pixel Clock Speed | 200 MHz on DVI-I (analog), HDMI, and DisplayPort inputs; 165 MHz max on DVI-I digital inputs. |
| User Programmable Timing Modes | 20 additional user-programmable timings may be stored. |
| Color Space Presets | 7 color space presets; 1 user-programmable plus six factory programmed: sRGB, Rec. 709, Rec. 601, Adobe® RGB, DCI-P3 emulation (97%), full gamut ³ |
| Anti-Glare | Yes |
| Anti-Static | Yes |
| Default Color Temperature | 6500K |
| Video and Other Inputs | Video Inputs Provided DVI-I (2), DisplayPort 1.1, HDMI 1.3, Component (YPbPr), S-Video, Composite |
| | Self Powered USB 2.0 Hub 1 upstream, 4 downstream USB 2.0 ports. |
| | Analog Input Signal Std. VESA VSIS (0.7V black-to-white, nom.) on DVI-I inputs. |
| | Analog Input Impedance 75 ohms, all analog inputs |
| | Sync Input TTL (analog input section of DVI-I inputs) |
| | Cables 1 VGA to DVI-I, 1 DVI-D to DVI-ID 1 DisplayPort, 1 HDMI, 1 USB |
| | Video Cable Length 6.6 ft (2.0 m) (all) |
| Power | AC Line Voltage 100 - 240 VAC |
| | Frequency 50/60 Hz |
| | Typical Power Consumption 42 W (120 VAC, no USB devices connected, and sRGB Color Space preset). |
| | Maximum 90 W |
| | Power Saving 10 W in "sleep" mode; 3W in "off" mode |

Technical Specifications

| | | | |
|----------------|--|---|--|
| Mechanical | Power Cable Length | 6.2 ft (1.9 m) | |
| | Dimensions (H x W x D) | Unpacked | 16.7 to 20.67 x 22.24 x 10 in (42.5 to 52.5 x 56.5 x 25.4 cm) |
| | | Unpacked w/o stand (head only) | 14.76 x 22.24 x 3.86 in (37.5 x 56.5 x 9.8 cm) |
| | | Packaged | 18.43 x 26.85 x 14.6 in (46.8 x 68.2 x 37.1 cm) |
| | Weight | Unpacked | 27.5 lb (12.5 kg) |
| | | Unpacked w/o stand (head only) | 18.7 lb (8.5 kg) |
| | | Packaged | 33 lbs (15 kg) |
| | Tilt Range | -5 to +35 degrees | |
| | Swivel Range | -45 to +45 degrees | |
| | Height Adjustable | 3.94 in (10.0 cm) range | |
| Pivot Rotation | Yes, 90 degrees | | |
| Options | Optional glare-reduction hood available. | | |
| Environmental | Temperature – Operating | 41° to 95° F (5 to 35° C) | |
| | Temperature – Non-operating | -4° to 140° F (-20 to +60° C) | |
| | Humidity – Operating | 20 to 80%, non-condensing | |
| | Humidity – Non-operating | 5 to 95% (38.7 deg. C max. wet-bulb temperature) | |
| | Altitude – Operating | 0 to 12,000 ft (3650 m) | |
| | Altitude – Non-operating | 0 to 40,000 ft (12,000 m) | |
| Other | Accessories Included | 1 VGA to DVI-I, 1 DVI-D to DVI-D, 1 DisplayPort, 1 HDMI, 1 USB, 1 Power cable, Software and documentation CD that includes HP Display Assistant software, monitor driver, software, and product documentation | |
| | Software | <p>HP Display Assistant is a software utility that allows monitor adjustment, color calibration, and security/asset management using the Display Data Channel Command Interface (DDC/CI) protocol of the connected desktop PC.</p> <p>HP Display LiteSaver feature allows you to schedule Sleep mode at preset times to help protect the monitor against image retention, drastically lower power consumption and energy costs, and extend the lifespan of the monitor.</p> | |
| | User Guide Languages | English, Arabic, Bahasa Indonesian, S. Chinese, T. Chinese, Czech, Danish, Dutch, Finnish, French, German, Greek, Korean, Italian, Japanese, Norwegian, Polish, Brazilian Portuguese, Russian, Slovenian, LA Spanish, Swedish, Turkish | |
| | Warranty Languages | English, French, Spanish, Brazilian Portuguese, Danish, Dutch, Finnish, German, Italian, Norwegian, Swedish, Turkish, Bahasa, Korean, S. Chinese, and T Chinese. | |
| | Color | Carbonite/silver | |
| | VESA External Mounting | Yes (Standard 4 hole pattern, 100 mm) | |
| | Security Lock-Ready | Yes | |
| Options | HP LCD Speaker Bar— | Powered directly by the monitor or PC, the Speaker Bar seamlessly attaches | |

Technical Specifications

| | |
|--|--|
| Part number: EE418AA | to the monitor's lower bezel to bring full audio support to the monitor. Features include dual speakers with full sound range and an external jack for headphones. Sold separately. For more information, refer to the HP LCD Speaker Bar QuickSpec. |
| HP Security Lock—Part number PC766A | Combines aircraft-grade steel and Kevlar fiber to securely lock down your monitor and help prevent theft. |
| HP DreamColor Advanced Profiling Solution—Part number KZ300AA | LCD monitor option designed for those professional users who require the precision color accuracy in their work output; quickly and accurately allows the user to calibrate his monitor front of screen setting to prevent any drift of critical monitor color or whitepoint settings. |
| HP LCD-Hood Kit—Part number KZ301AA | Monitor option designed for critical use applications where shielding from contrasting open back light sources are required; enables an improved visible monitor resolution by providing a darkened fore space from which to view the monitor's panel. |

Certification and Compliance

TCO'99, ISO 13406-2 VDT Guidelines Approval, CISPR Requirements, VCCI Approvals, MIC (Korean) Requirements, CSA, Australian ACA Approval, "GS" Mark, TUV Approvals, CE Marking, FCC Approval, Microsoft® Windows® Certification (Microsoft® Windows® 98, Microsoft Windows 2000, Microsoft Windows XP, and Windows Vista® Premium)

Compatibility

Compatible with platforms using the VESA standard video modes. Recommended for use with HP products.

Service and Warranty

Three years parts, labor, and on-site service. 24-hour, 90-day, toll-free technical support. Replacement options may include second business day on-site service, or next business day direct replacement, at HP's sole discretion.⁴ With direct replacement, HP will ship a replacement display product directly to you. Using the prepaid shipping labels provided, return your failed display to HP in the same packaging as the replacement. Certain restrictions and exclusions apply. For details see your product warranty or contact HP Customer Support.

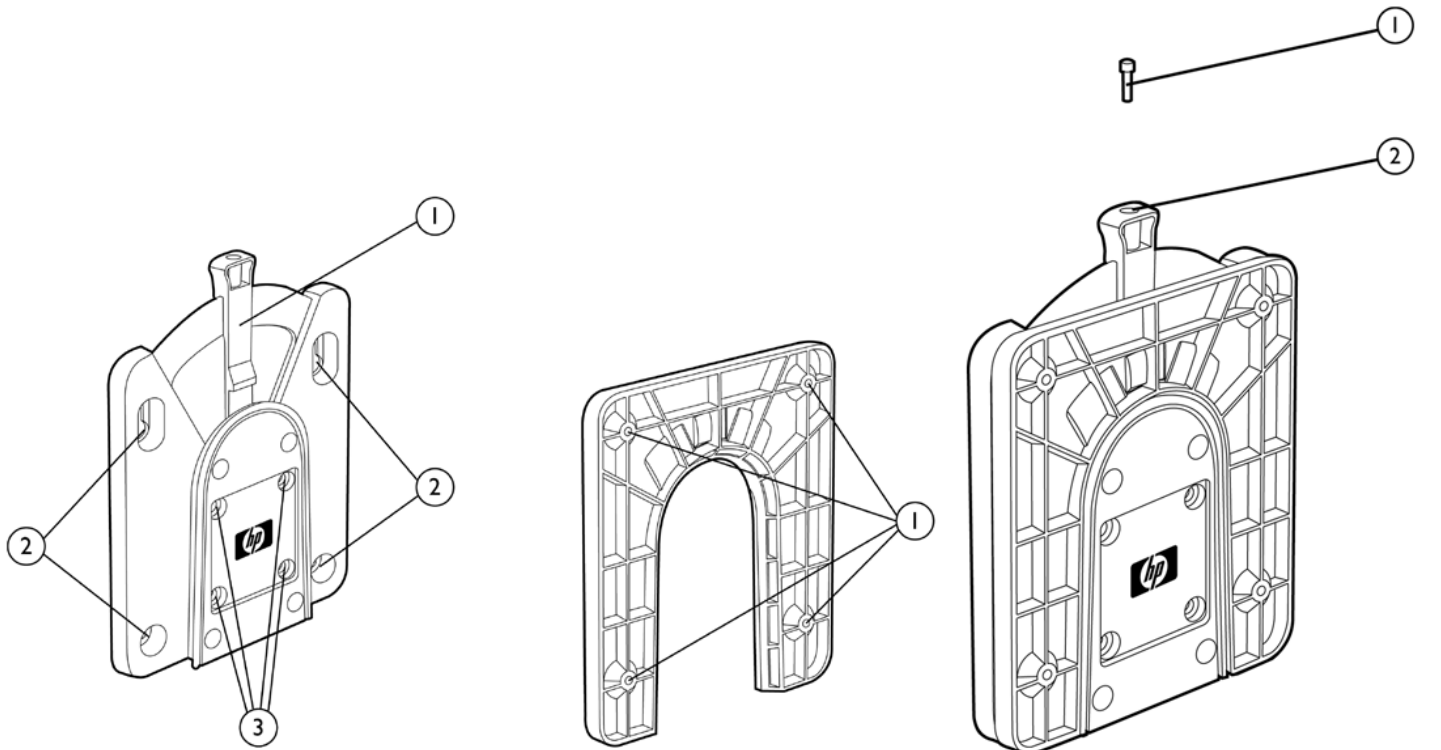
¹ All performance specifications represent the typical specifications provided by HP's component manufacturers; actual performance may vary either higher or lower.

² OSD OverDrive (in the Image Control menu) control set to Enabled.

³ Programming color space presets requires use of optional calibration accessory and software

⁴ Service levels and response times for HP Care Packs may vary depending on your geographic location. Restrictions and limitations apply. For details, visit: www.hp.com/go/carepack.

Overview - HP LCD Monitor Quick Release



1. Release/locking
2. Four 100 mm VESA mount screw holes
3. Mounting holes for attachment to back of monitor stands

1. Four 100 mm VESA mount screw holes

1. Locking pin screw
2. Locking pin hole on release/locking arm

Introduction

The HP Quick Release, which ships standard with the HP DreamColor LP2480zx 24-inch Widescreen LCD Monitor, is an easy to use, 100 mm VESA-compliant, flat panel monitor mounting solution that allows you to quickly and securely attach a flat panel monitor to a variety of stands, brackets, arms or wall mounts. HP Quick Release can also be used for mounting any combination of devices that are compatible with the 100 mm VESA Flat Display Mounting Interface Standard. The failsafe "Sure-Lock" mechanism snaps the monitor (or mounted device) securely in place, and can be further secured with a theft-deterrent security screw.

Uniquely flexible product configurations

HP Quick Release enables uniquely flexible product configuration alternatives in a variety of settings, such as:

- Storefronts/kiosks: Mount flat panel monitors for easy viewing and add touchscreens for interactivity.
- Trade shows: Securely mount LCD TVs or monitors in common areas and quickly remove them for safekeeping at the end of the day.
- Front office environments: Minimize desk space requirements with wall or swing-arm mounting of monitors in reception areas.
- Training labs: Mount a monitor directly on a 100 mm VESA-compatible PC or an HP Thin Client for all-in-one convenience.
- Medical/institutional settings: Securely mount monitors in nursing stations and public areas.
- Conference rooms: Mount projectors (with 100 mm VESA-compliant pre-drilled holes) on ceilings, and monitors on walls or tables.

Technical Specifications - HP LCD Monitor Quick Release

| | | | |
|---------------------------|---|------------|---|
| Mechanical | Dimensions (H x W x D) | Packaged | 7.8 x 6.25 x 1.5 in (19.8 x 15.9 x 3.8 cm) |
| | | Unpackaged | 6.3 x 5.2 x 0.65 in (16 x 13.2 x 1.65 cm) |
| | Weight | Packaged | 1.1 lb (0.49 kg) |
| | | Unpackaged | 0.82 lb (0.37 kg) |
| Additional components | <ul style="list-style-type: none">• Eight 10 mm mounting screws (for attachment to VESA compliant monitor mounts)• Eight 15.5 mm mounting screws (for attachment to HP Thin Client products)• Four 20 mm mounting screws (for attachment to back of select HP flat panel monitor stands)• One Quick Release "locking" screw | | |
| Color | Carbonite | | |
| Notes | <ol style="list-style-type: none">1. No HP monitors allow positioning of a thin client product between a monitor screen and its stand.2. The Quick Release device is not to be used between a monitor screen and its stand unless provided that way from the factory.3. Under no circumstances is the Quick Release device intended to be used in an orientation where the Release/Lock lever is oriented downward. | | |
| Supported weight capacity | The HP Quick Release has been designed to support a maximum of up to 24 lbs (10.9 kg) depending upon the mounting configuration used. Please note this is a total weight limit for all devices mounted, i.e. the combined weight of the monitor and a second device such as an HP Thin Client cannot exceed 24 pounds. Because mounting surfaces vary widely and the final mounting method and configuration may vary, mounting fasteners are not supplied (other than the VESA-compliant screws). HP recommends that you consult with a qualified engineering, architectural or construction professional to determine the appropriate type and quantity of mounting fasteners required for your application and to ensure that your mounting solution is properly installed to support applied loads. | | |

© Copyright 2008 Hewlett-Packard Development Company, L.P.

Microsoft and Windows are trademarks or registered trademarks of Microsoft Corporation in the U.S. and other countries. Windows Vista is either a registered trademark or trademark of Microsoft Corporation in the United States and/or other countries. Adobe and Adobe RGB are trademarks of Adobe Systems Incorporated.

The information contained herein is subject to change without notice. The only warranties for HP products and services are set forth in the express warranty statements accompanying such products and services. Nothing herein should be construed as constituting an additional warranty. HP shall not be liable for technical or editorial errors or omissions contained herein.